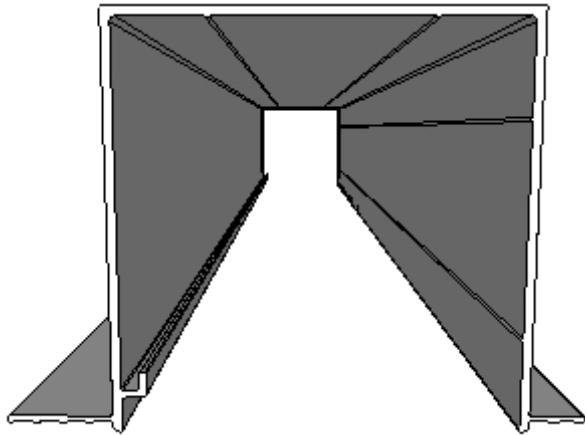


Perfect Fit Mud In Pocket Junior Instructions

Congratulations on your purchase of a specialty system from DEL Motorized Solutions.
If you have any questions, please call technical support at 1-866-446-6867
or email us at info@motorizedsolutions.com

PerfectFit



Important Notes - Please Read Before Installing



CAUTION: RISK OF FALLING OBJECTS

Securely install the system per the mounting instructions. Failure to do so could result in injury.



All mounting surfaces must be level.



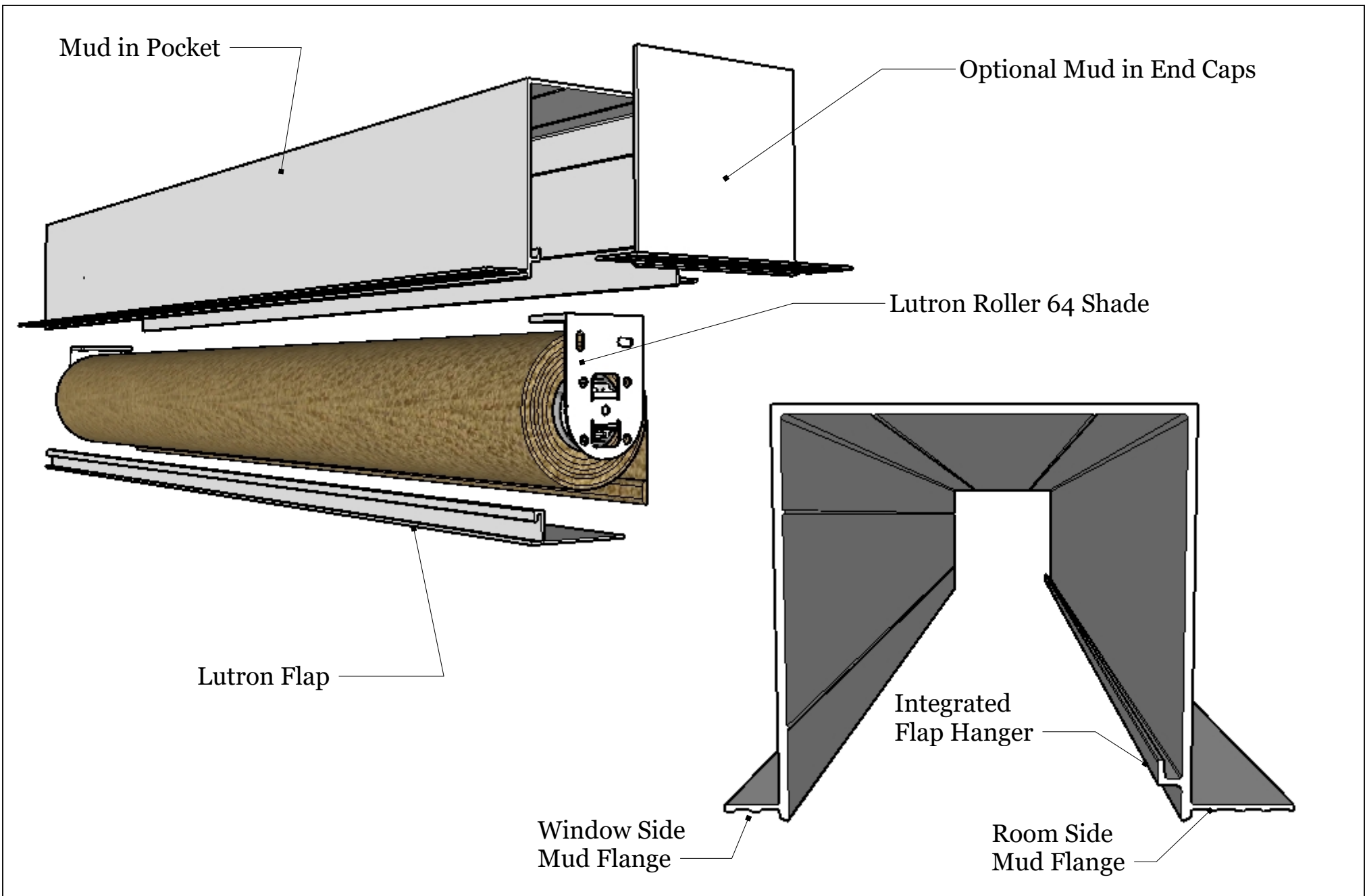
Perfect Fit and hardware are to be anchored into wood blocking. If wood blocking is not available, you must use appropriate fasteners (not included) to support the weight of the system and load.



Pre-drill all holes with the appropriate size bit.

TOOLS REQUIRED

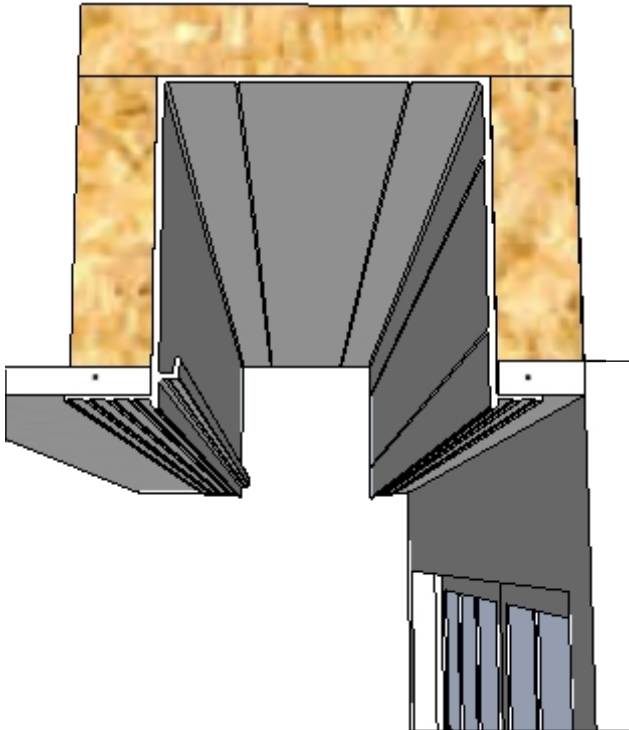
Pencil, Tape Measure, Powered Screwdriver, Drill, Level, Rasp, Drill bits.



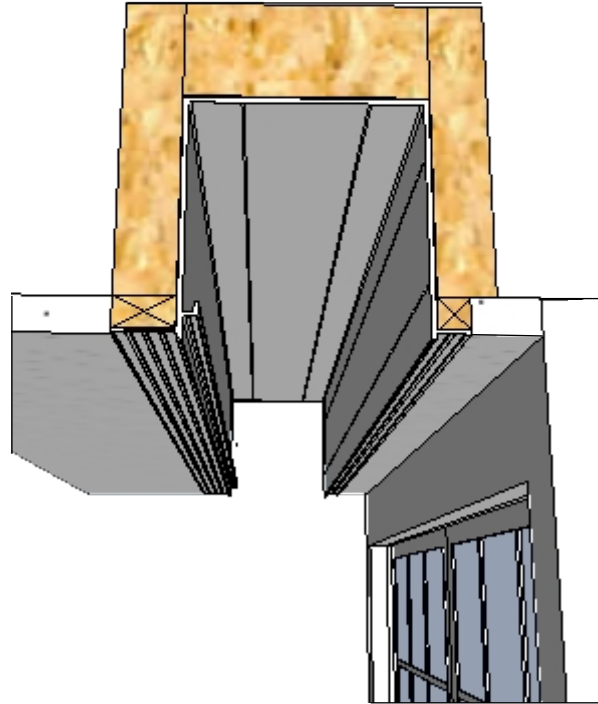
Step 1. Determine Your Construction Method

There are three methods to preparing the drywall and framing for Mud in Pocket.
Although all three methods are acceptable, Option 1. is the most widely used.

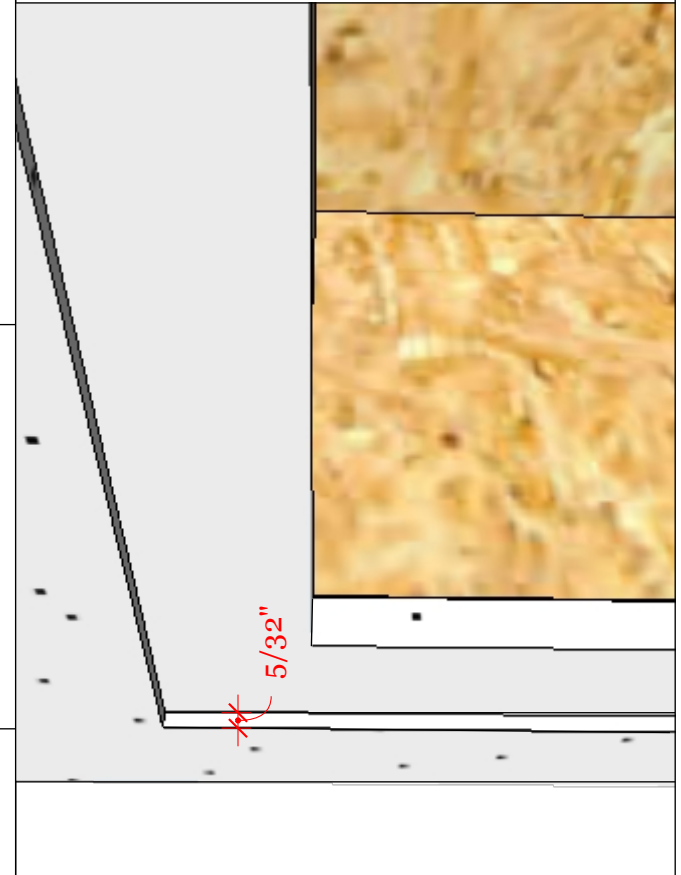
Option 1. Surface Mount



Option 2. Drywall Short

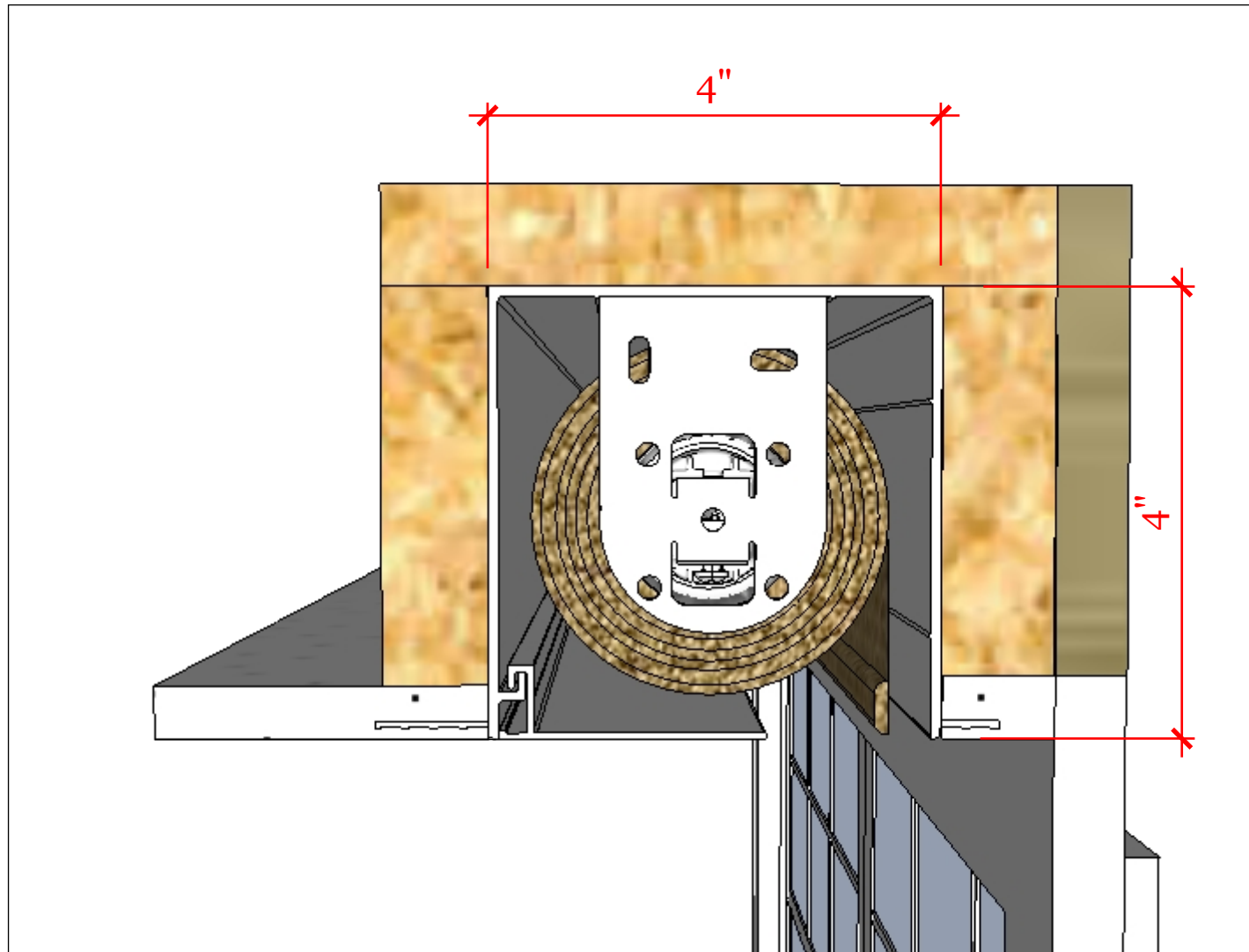


Option 3. Thinning drywall at mud flanges.



Step 2. Minimum Cavity Dimensions

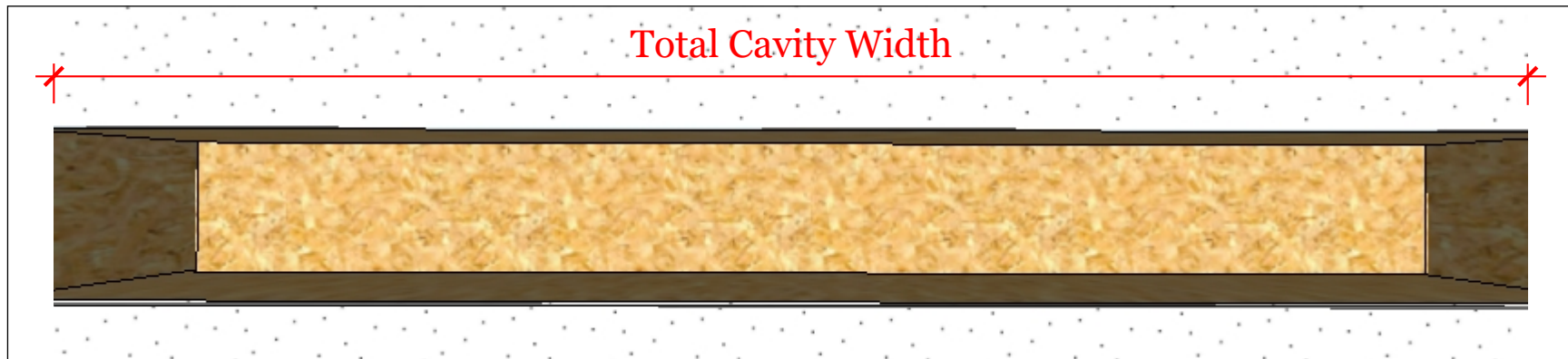
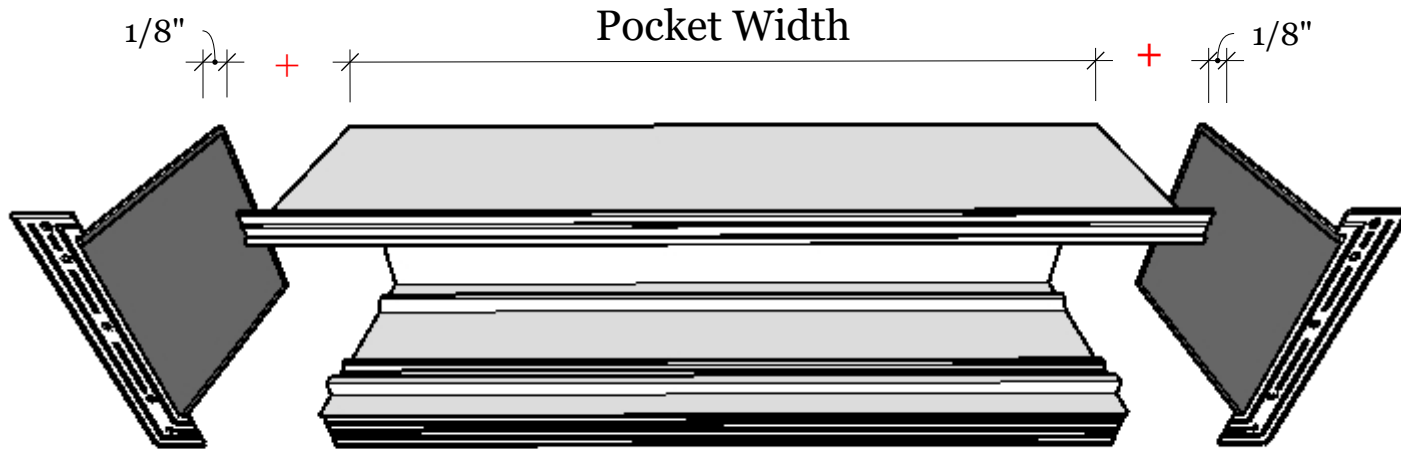
Construct the framing cavity wide and tall enough to accept the Mud in Pocket.



Step 3. Determine Your Cavity Width

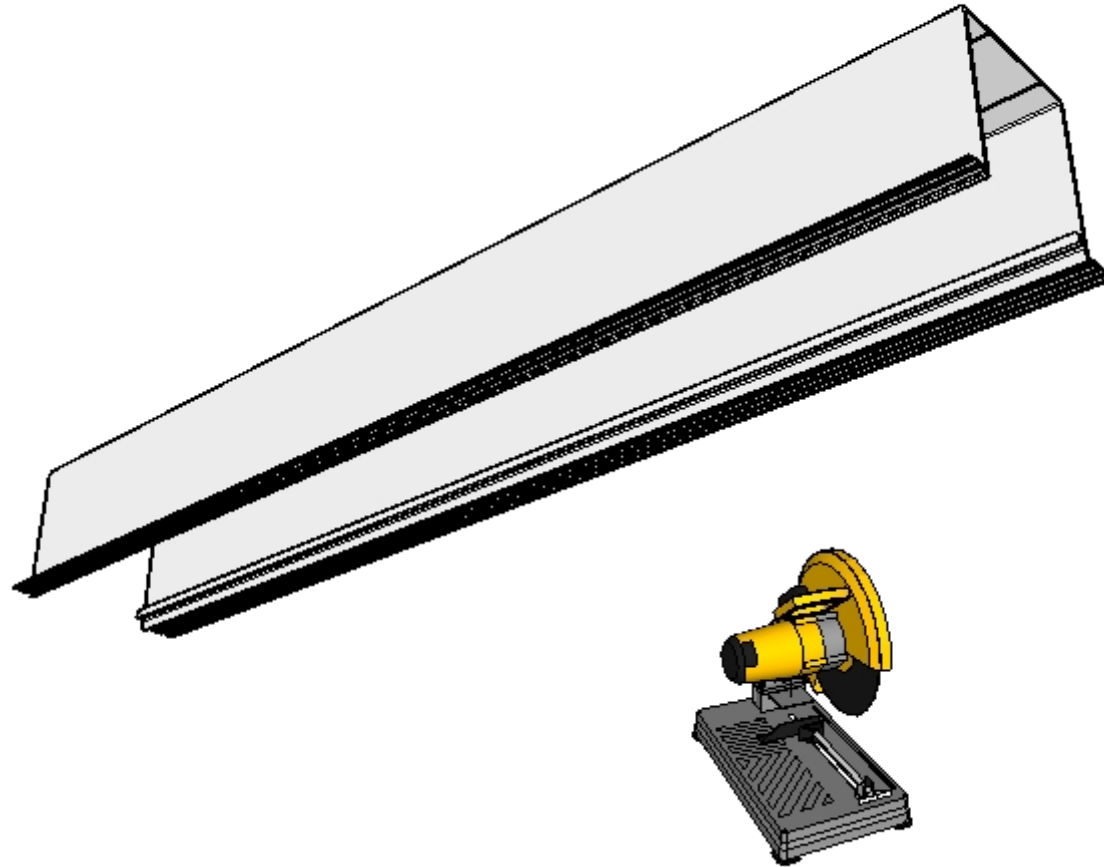
The minimum cavity width is the bracket to bracket shade width, plus the end caps.

Note - It is recommended that an additional 1/2" (1/4" per side) is added to allow the pocket to fit in out of square cavities.



Step 4. Cut the Mud in Pocket

Cut the mud in pocket to size.



Step 5. Anchor the Pocket

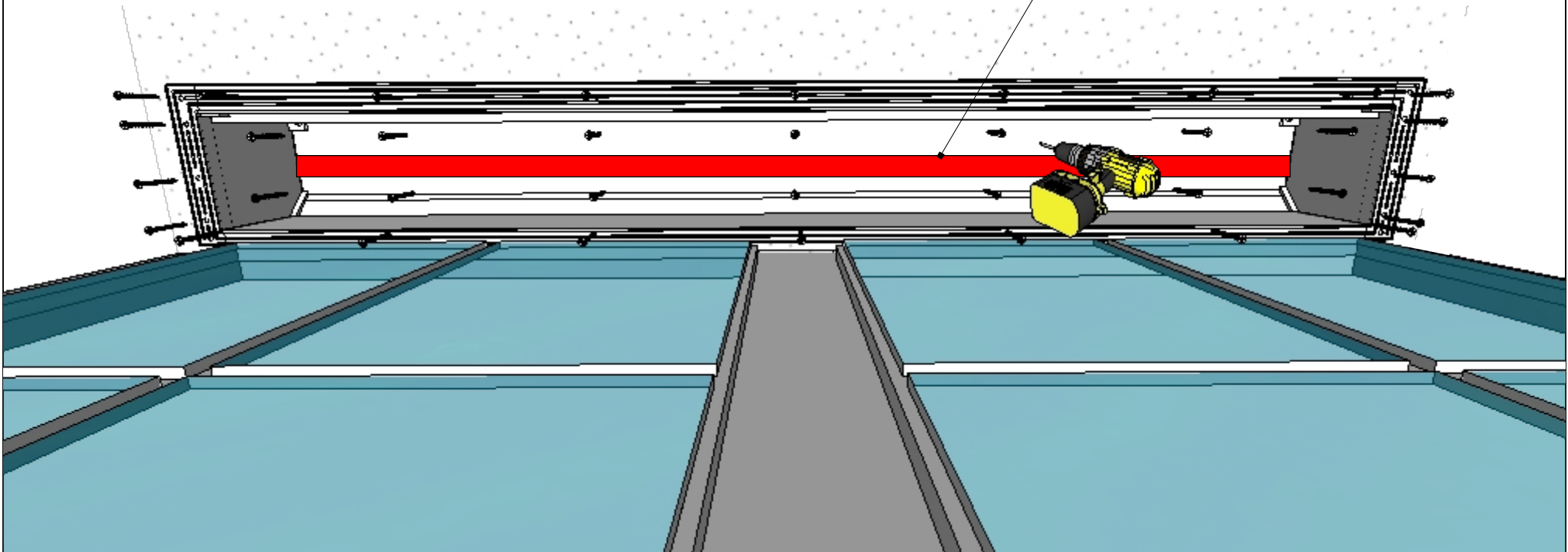
Place the Mud in Pocket assembly into the prepared cavity.

Countersink and install screw anchors into blocking at the flanges and top surface of the Mud in Pocket.

Slide in the End Caps (if used). Install screws into blocking at the End Cap flanges.

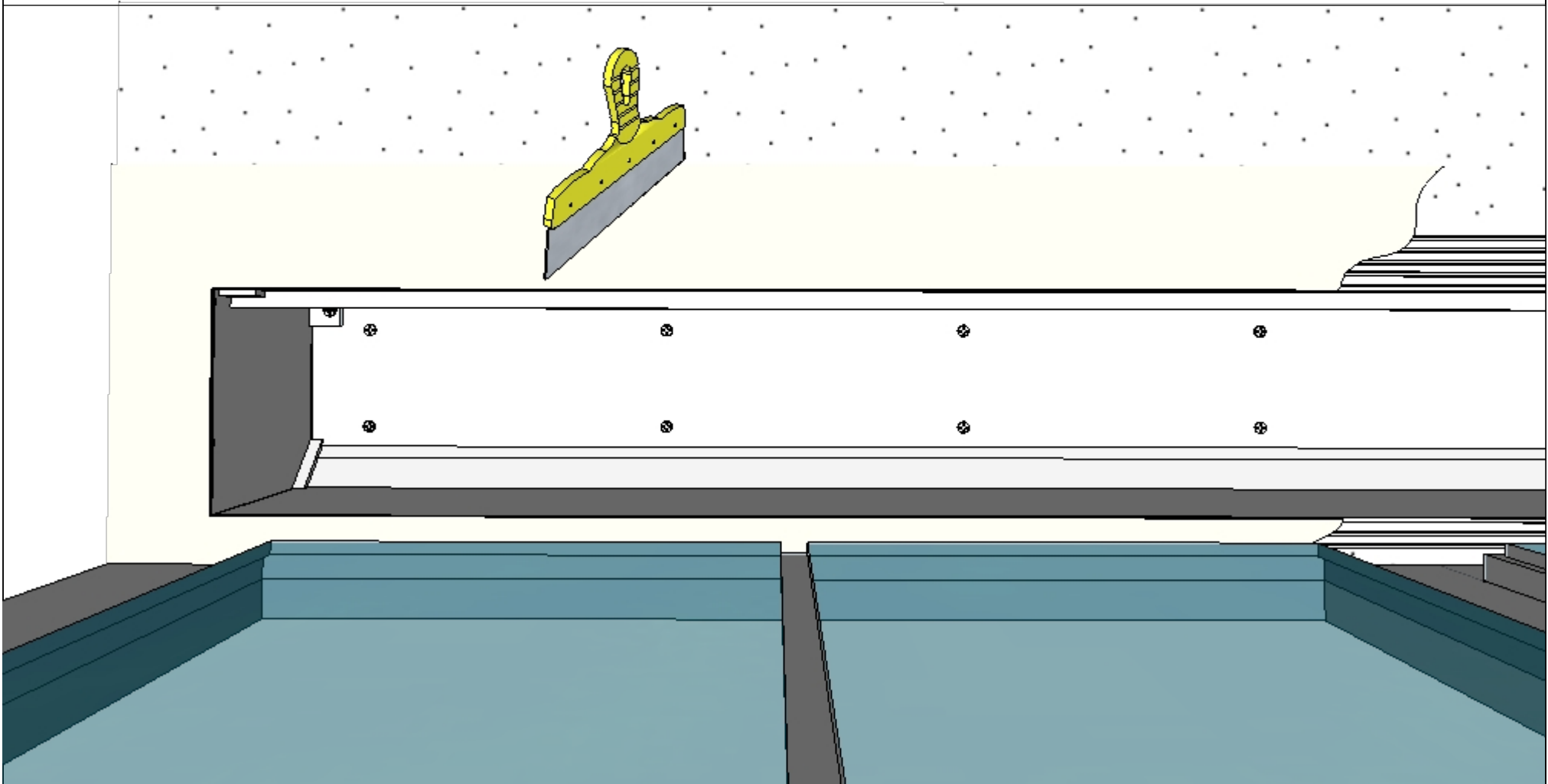
Note: Do not over tighten the screws on the end cap flanges to avoid curving of the plastic.

Avoid using anchors in the center 2" area of the pocket to ensure the fabric will not make contact with a screw head.



Step 6. Mud The Flanges

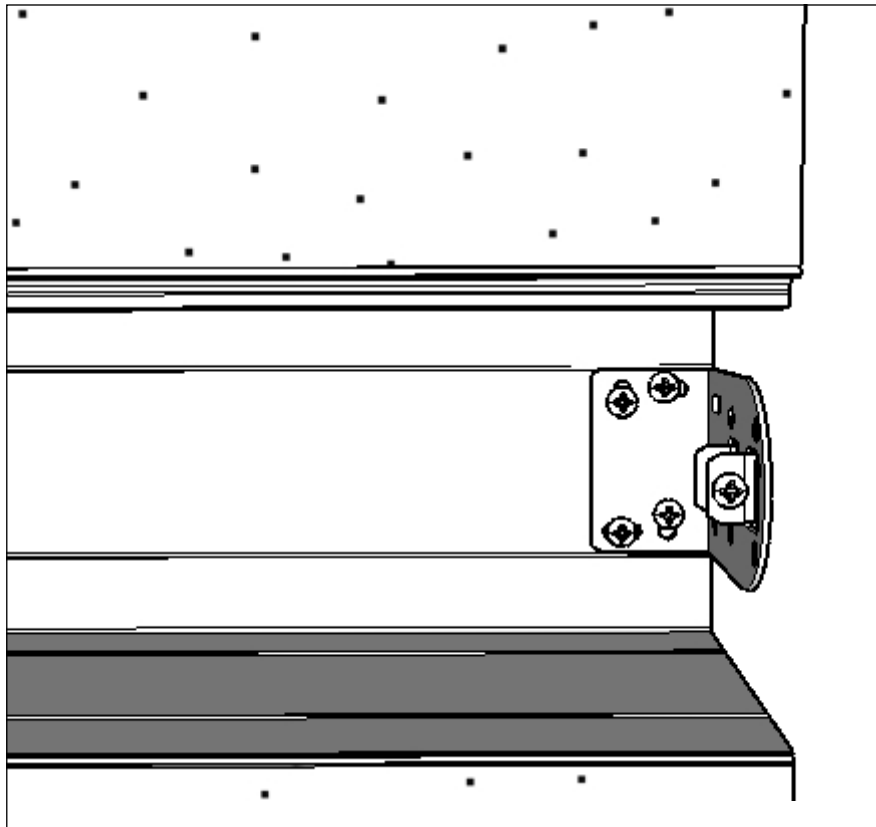
Mud over the flanges using the appropriate size trowel (10" recommended).
Sand and paint the ceiling surface and the entire assembly.



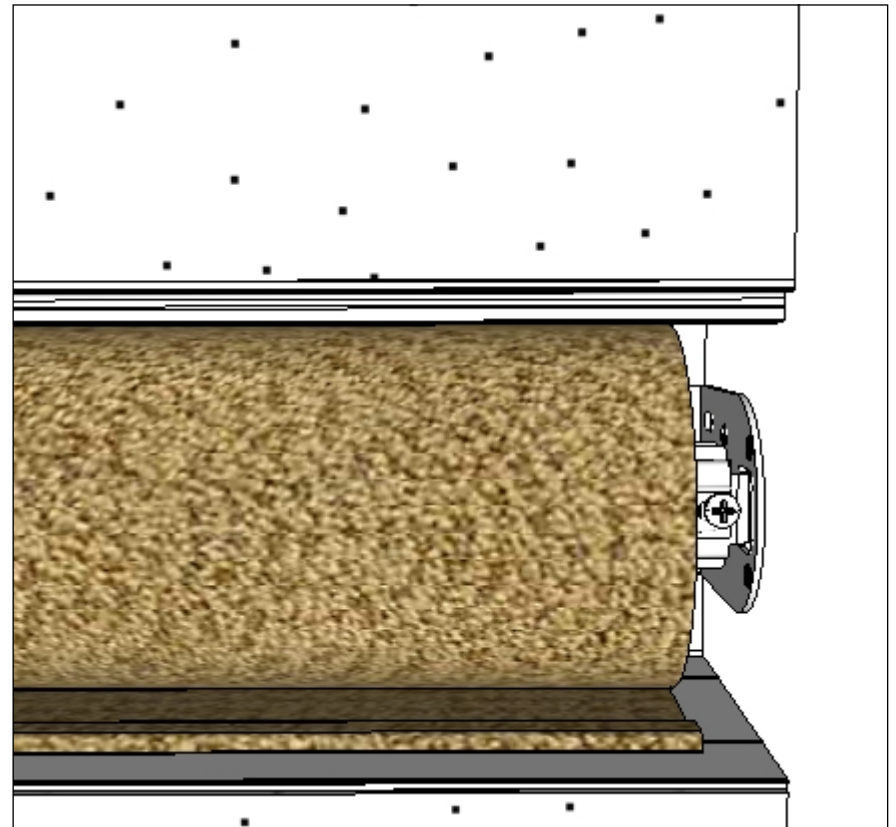
Step 7. Install The Shade

Install the brackets and the shade as per Lutron's instructions.

A, Install the end brackets.

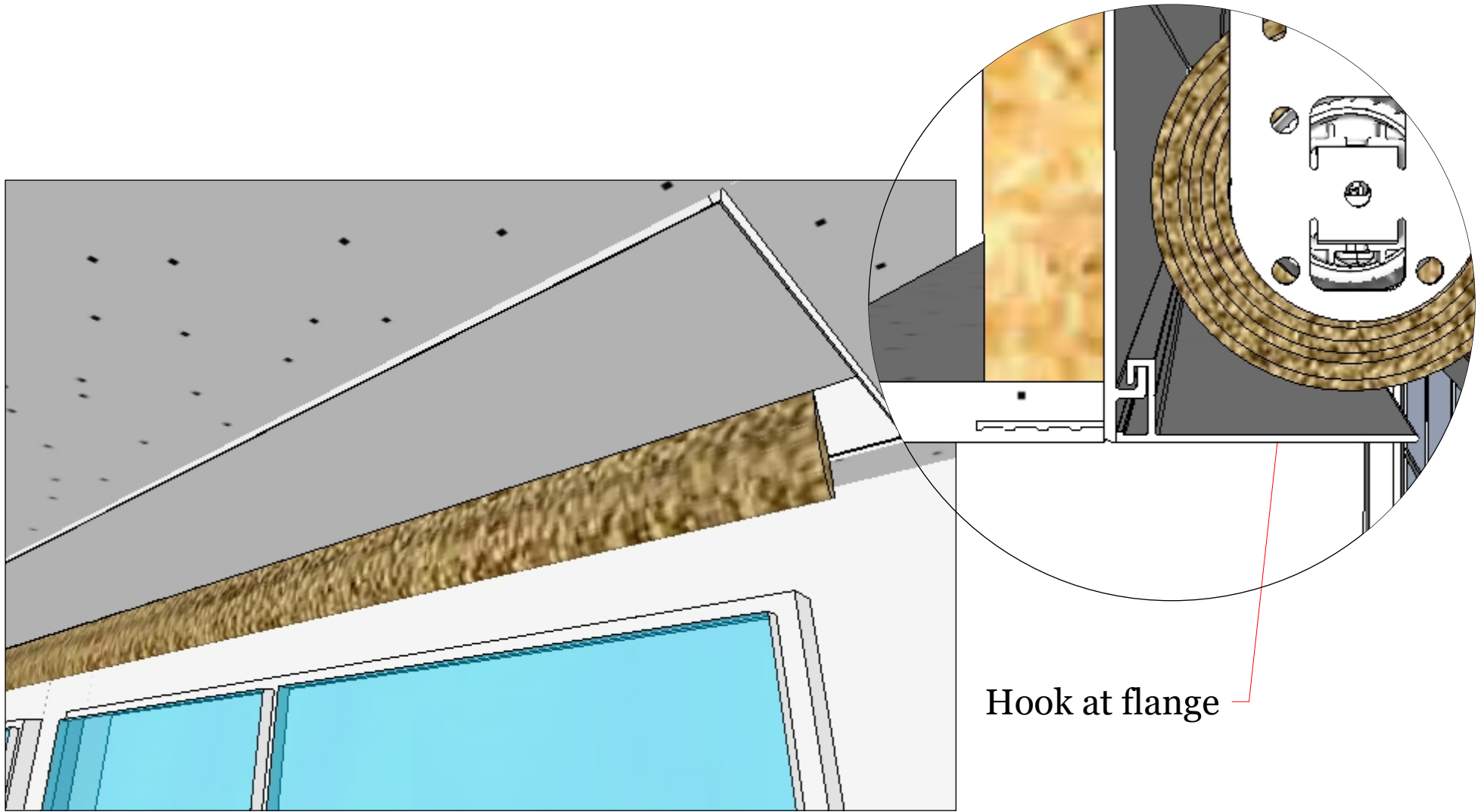


B. Install the shade into the end brackets.



Step 8. Install The Flap

Connect the flap by interlocking the top flange and tilting down.





Programming Guides

Please scan the QR code or click the link below to be forwarded to the programming guides for instructions on how to set the upper and lower limits, assigning controls, etc.



Use the QR code above to access the instruction guide from a smart device.

[Click Here](#)

Use the link above to access the instruction guide from an electronic device.